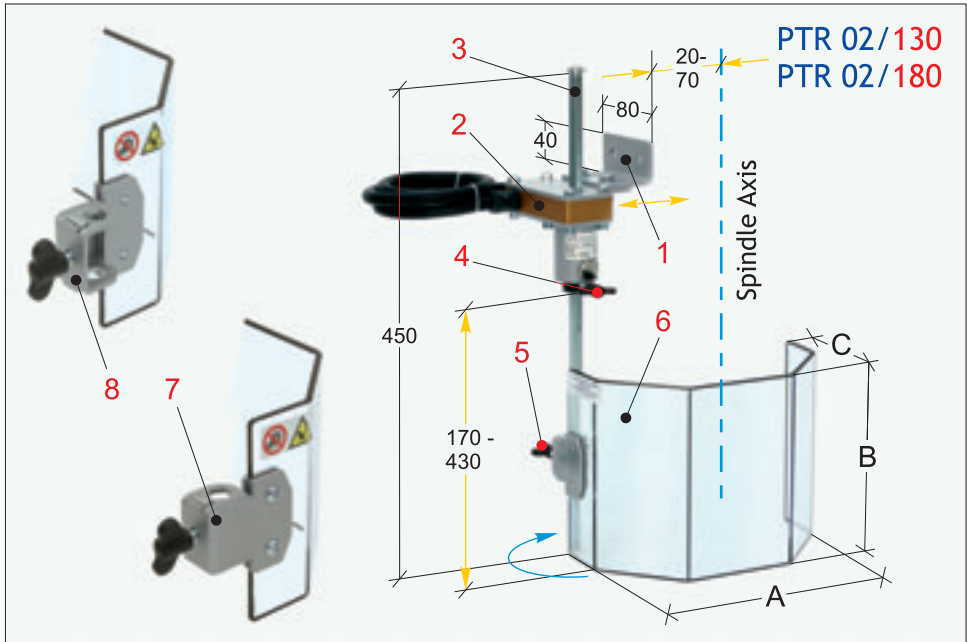


Safety guard for Drills and radial Drills

Solid and versatile, the only one with double shield adjustment
Suitable for installation on traditional Drills, Pantographs and similar machines



Protects the operator from direct frontal contact with rotating spindle parts and from projection of shavings and lubricant-coolant - Attachable on the left side of the machine.

The semi-octagonal shield can be adjusted vertically by two different systems:

Shield-arm group, adjustable through the microswitch group (point 4) - The shield is adjustable through the arm (point 5).

The shield support clamp can be placed inside (point 7) or outside (point 8), allowing a wide range of horizontal adjusting.

Complete with safety microswitch.

- 1 Anchorage stirrup - in pressed steel
- 2 Safety microswitch main box - 180° rotation - n.2 NC contacts
- 3 Shield support vertical arm - in steel hexagon
- 4 Arm-shield adjustment knob as regards the microswitch group
- 5 Shield adjustment knob as regards the supporting arm
- 6 Semi-octagonal shield in Polycarbonate

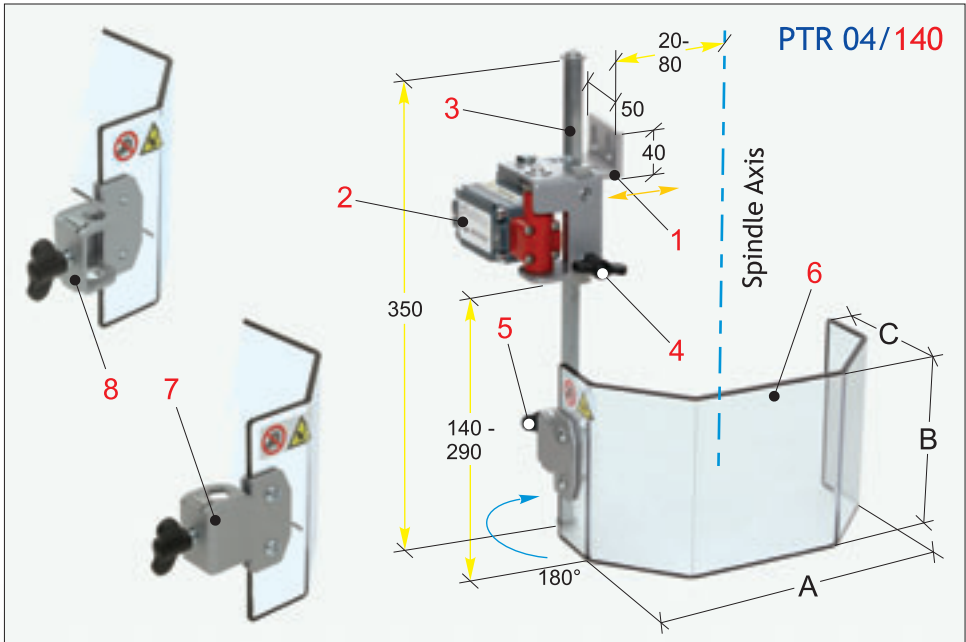


Code	A	B	C
PTR 02/130	230	130	115
PTR 02/180	230	180	115



Safety guard for medium-small Drills

Small item, the only one with a double shield adjustment
Suitable to be used on Drills, bench Drills and similar machines



Protects the operator from direct frontal contact with rotating spindle parts and from projection of shavings and lubricant-coolant - Attachable on the left side of the machine.

The semi-octagonal shield can be adjusted vertically by two different systems:

Shield-arm group, adjustable through the self-bearing microswitch (point 4) - The shield is adjustable through the arm (point 5).

The shield support clamp can be placed inside (point 7) or outside (point 8), allowing a wide range of horizontal adjusting.

Complete with safety microswitch.

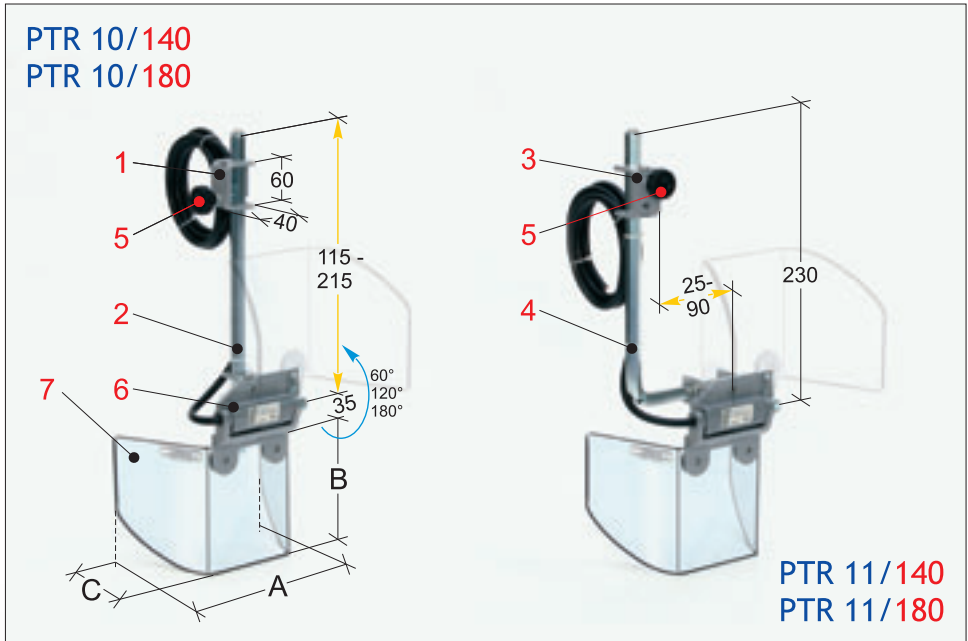
- 1 Anchorage stirrup - in pressed steel
- 2 Self-bearing safety microswitch - 180° rotation - n.2 NC contacts
- 3 Shield support vertical arm - in steel hexagon
- 4 Arm-shield adjustment knob as regards the microswitch group
- 5 Shield adjustment knob as regards the supporting arm
- 6 Semi-octagonal shield in Polycarbonate



Code	A	B	C
PTR 04/140	200	140	100

Safety guard for Drills and similar machines

New item proposed with double fixing system, supported by adjustable hexagonal arms
Equipped with microswitch integrated in the rotation hinge



Protects the operator from direct frontal contact with rotating spindle parts and from the projection of shavings and lubricant-coolant.

Shield equipped with innovative system of vertical opening, in the positions of 60° - 120° - 180°, supported by widely adjustable hexagonal arms - Available in two versions:

PTR 10/... Frontally fixable version - PTR 11/... Laterally fixable version.

The safety microswitch is integrated in the special hinge that supports the shield.

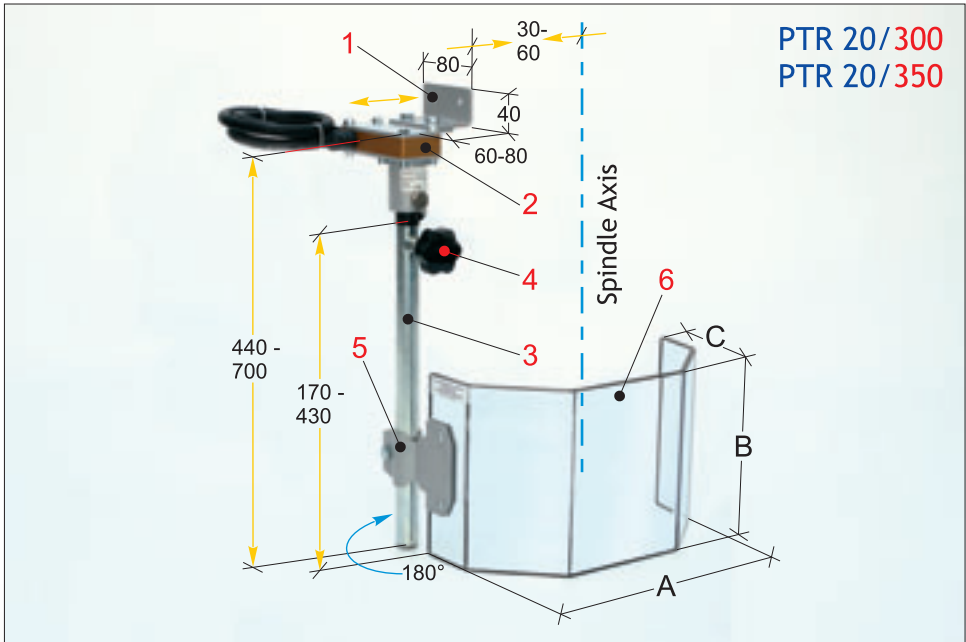
- 1 Anchorage stirrup, frontal version - in pressed steel
- 2 Support arm, frontal version - in steel hexagon
- 3 Anchorage stirrup, lateral version - in pressed steel
- 4 Support arm, lateral version - in steel hexagon
- 5 Release knob for the vertical adjustment of the shield
- 6 Shield support hinge, with integrated microswitch - n.2 NC contacts
- 7 Semi-hexagonal shield in Polycarbonate



Code	A	B	C
PTR 10/140 - PTR 11/140	200	140	110
PTR 10/180 - PTR 11/180	200	180	110

Safety guard for radial Drills

Item equipped with vertical adjustment of the shield with telescopic arm system
Suitable to be used on large-dimension Drills and Radial Drills



Protects the operator from direct frontal contact with rotating spindle parts and from the projection of shavings and lubricant-coolant.

Attachable on the left side of the machine - Supplied with semi-octagonal shield equipped with double system of vertical adjustment: 1= telescopic shield-arm group, adjustable by the internal hub-Shield - 2= adjustable on the same arm - Complete with safety microswitch.

- 1 Anchorage stirrup - in pressed steel
- 2 Safety microswitch main box - 180° rotation - n.2 NC contacts
- 3 Telescopic shield support arm - in tubular steel
- 4 Arm-shield release knob from the internal hub
- 5 Clamp with shield release screw from the telescopic arm
- 6 Semi-octagonal shield in thick Polycarbonate



Code	A	B	C
PTR 20/300	300	200	150
PTR 20/350	350	240	175